

## VOLUMA

145-202-104

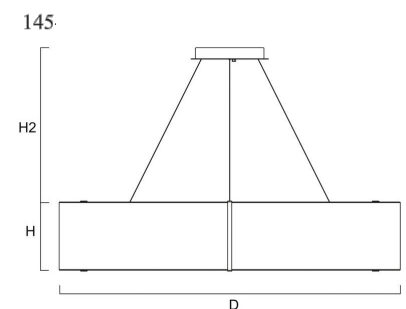
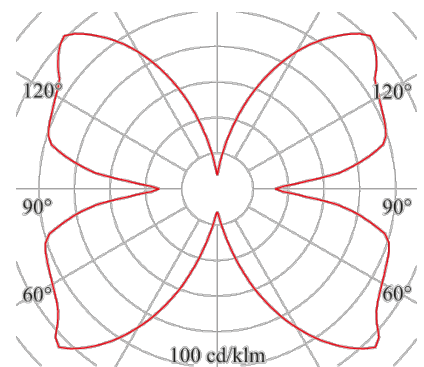
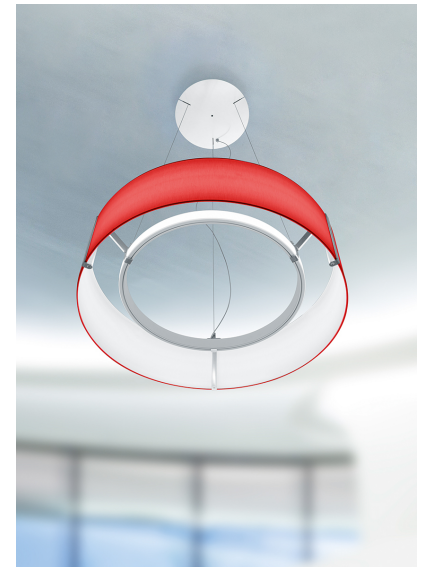
The pendant luminaire as an impressive staging with an exceptionally elegant design

**Design:** ring-shaped  
**ceiling mounting:** available  
**pendant mounting:** available  
**colour:** white RAL 9016  
**Outer diameter [mm]:** 1150  
**Height/depth [mm]:** 200  
**suspension:** 3x Stahlseil  
**suspension length [mm]:** 3000  
**weight net [kg]:** 8

With its unique dimensions, this pendant luminaire gives large rooms with high ceilings a very special expression - ideal for galleries and reception areas.

The different diameters in the standard provide full flexibility and perfect integration in the property. The lampshade can be delivered in different colours. The colour codes can be found on the product page and can be specified when ordering.

**Type:** PLANE  
**light direction:** direct/indirect  
**Luminaire Luminous Flux [lm]:** 9200  
**light steering:** lampshade  
**light symetry:** symmetrical  
**System efficiency (lm/W):** 108  
**Colour Temperature [K]:** 4000  
**Colour Rendering Index:** >80  
**control:** ON/OFF  
**control gear incl:** 78  
**Nominal voltage:** 230V 0/50/60Hz  
**life cycle:** 50.000h (L80/B10)  
**Degree of protection:** IP20  
**Protection class:** I  
**control gear incl:** yes



Stand: 28.09.2022